

# Pearl<sup>®</sup> *Water Systems*

Steel Tanks  
with Diaphragm



# MNIP

The MNP Series is designed for a wide range of applications, including hydropneumatic systems, booster systems, irrigation systems, and the reduction of water hammer effects.

MNP Series tanks, made of steel, have an internal lining constructed from virgin polypropylene and a chlorobutyl membrane, certified by the FDA. The membrane is affixed to the tank wall courtesy of a steel ring. A bronze valve, sealed with a plug and an O-ring, helps prevent air from escaping.

The external coating of the MNP Series tanks, with almond colored polyurethane paint on an epoxy base, provides hundreds of hours of protection against UV rays and aggressive environments.

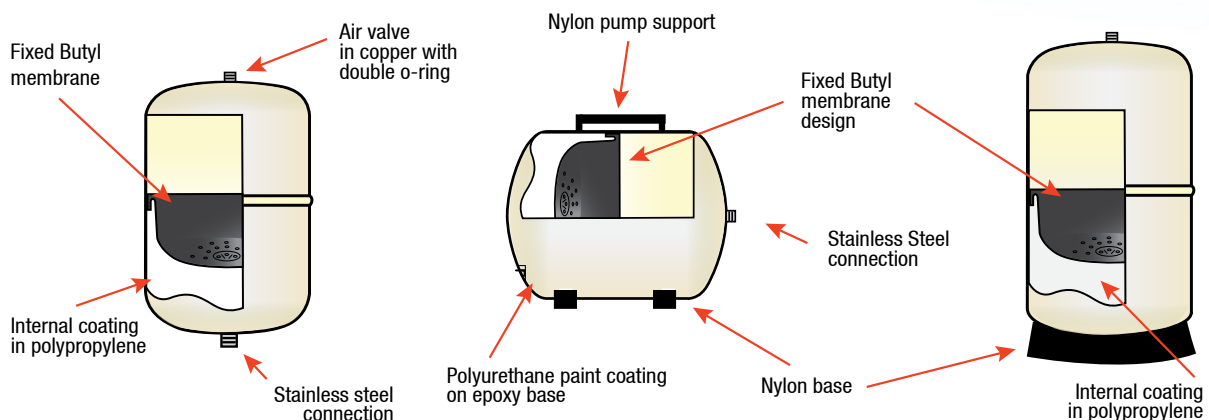


### Features

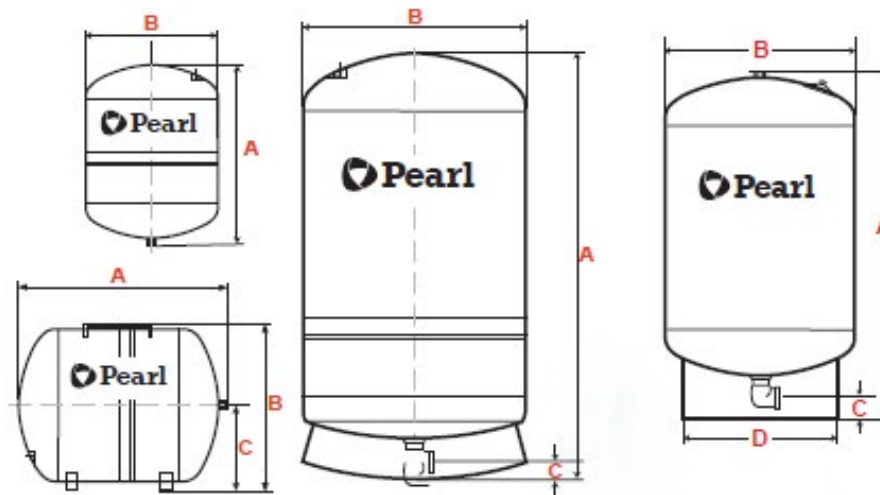
- Fixed Butyl membrane
- Stainless Steel water connection
- Internal lining in virgin polypropylene
- Finished with polyurethane paint on epoxy base
- Air-valve plug sealed with O-ring anti-leak
- Does not require maintenance
- Maximum Working Pressure: 150 PSI / 10 bar
- Maximum Working Water Temperature: 90 ° C
- IAPMO R&T, ACS, and CE Certifications
- Factory preloaded in Nitrogen (N<sub>2</sub>) for operation
- 100% Factory Tested

### Nomenclature

<b>MNP</b>	<b>200</b>	<b>V</b>
<b>MODEL</b> M = Metallic N = NPT Thread P = Pearl	<b>VOLUME</b> Nominal volume tank in Liters	<b>TYPE</b> S = Spherical H = Horizontal V = Vertical



# MNP - Steel Tank with Diaphragm



MNP STEEL TANK SERIES SPECIFICATIONS													
NPT	NOMINAL CAPACITY		CONNECTIONS	DIMENSIONS						SHIPPING BOX VOLUME		SHIPPING BOX WEIGHT	
	[ lts ]	[ gal ]		[ in ]	A		B		C		[ m <sup>3</sup> ]	[ ft <sup>3</sup> ]	[ kgs ]
				[ cm ]	[ in ]	[ cm ]	[ in ]	[ cm ]	[ in ]				
<b>INLINE MODELS</b>													
MNP1S*	1.3	0.35	1/2" SS MALE	20.1	7.9	12.0	4.7	-	-	0.0238	0.84	3.1	6.8
MNP3S*	3	0.5	3/4" or 1" SS MALE	22.0	8.7	14.0	5.5	-	-	0.0238	0.84	4.7	10.4
MNP8S	8	2.0	3/4" or 1" SS MALE	30.4	12.0	20.3	8.0	-	-	0.0147	0.52	2.3	5.1
MNP12S	12	3.2	3/4" or 1" SS MALE	38.4	15.1	22.9	9.0	-	-	0.0218	0.77	3.2	7.1
MNPE24S	18	4.8	3/4" or 1" SS MALE	36.4	14.3	28.0	11	-	-	0.0305	1.08	3.4	7.5
MNP24S	24	6	3/4" or 1" SS MALE	41.5	16.3	29.0	11.4	-	-	0.0402	1.42	3.6	7.9
MNP35S	35	10	3/4" or 1" SS MALE	56.4	22.2	29.0	11.4	-	-	0.0549	1.94	6.8	15.0
<b>HORIZONTAL MODELS</b>													
MNP20H	20	4.5	3/4" or 1" SS MALE	36.4	14.3	28.0	11.0	14	5.5	0.0374	1.32	4.4	9.7
MNP24H	24	6.0	3/4" or 1" SS MALE	41.5	16.3	29.0	11.4	14.8	5.8	0.0439	1.55	5.4	11.9
MNP35H	35	10	3/4" or 1" SS MALE	56.4	22.2	29.0	11.4	14.8	5.8	0.0620	2.19	7.4	16.4
MNP60H	60	14	3/4" or 1" SS MALE	53.6	21.1	39.0	15.3	19.1	7.5	0.0971	3.43	11.1	24.5
MNP80H	80	20	3/4" or 1" SS MALE	71.4	28.1	39.0	15.3	19.1	7.5	0.1334	4.71	14.7	32.5
MNP100H	100	28	1" SS MALE	71.0	28.0	43.0	16.9	22.5	8.9	0.1416	5.00	15.0	33.1
<b>VERTICAL MODELS WITH BASE</b>													
MNP60V	60	14	1" SS FEMALE 90°	59.2	23.4	39.0	15.3	2.9	1.1	0.1042	3.68	11.0	24.3
MNP80V	80	20	1" SS FEMALE 90°	77.0	30.3	39.0	15.3	2.9	1.1	0.1362	4.81	14.6	32.2
MNP100V	100	28	1" SS FEMALE 90°	76.5	30.1	43.0	16.9	2.9	1.1	0.1526	5.39	15.2	33.5
MNP120V	120	32	1" SS FEMALE 90°	114.8	45.2	39.0	15.3	2.9	1.1	0.1917	6.77	22.7	50.1
MNP130V	130	34	1" SS FEMALE 90°	78.5	30.9	55.0	21.7	4.4	1.7	0.2384	8.42	24.5	54.1
MNP150V	160	44	1 1/4" SS FEMALE 90°	93.1	36.7	55.0	21.7	4.4	1.7	0.2885	10.19	27.8	61.3
MNP200V	200	53	1 1/4" SS FEMALE 90°	106.6	42.0	55.0	21.7	4.4	1.7	0.3401	12.01	31.1	68.6
MNP235V	235	62	1 1/4" SS FEMALE 90°	119.6	47.1	55.0	21.7	4.4	1.7	0.3701	13.07	37.7	83.2
MNP300V	305	81	1 1/4" SS FEMALE 90°	146.3	57.6	55.0	21.7	4.4	1.7	0.4610	16.28	47.1	103.9
MNP325V	325	86	1 1/4" SS FEMALE 90°	110.5	45.5	65.0	25.6	4.4	1.7	0.4958	17.51	48.5	106.9
MNP450V	450	119	1 1/4" SS FEMALE 90°	141.0	55.5	65.0	25.6	4.4	1.7	0.6853	24.20	61.5	135.6
<b>STAINLESS STEEL MODELS</b>													
SNP18S	18	4.5	3/4" or 1" SS MALE	36.4	14.3	28.0	11.0	-	-	0.032	1.13	3.7	8.2
SNP24S	24	6.0	3/4" or 1" SS MALE	41.5	16.3	29	11.4	-	-	0.0428	1.51	4.8	10.6
SNP18H	18	4.5	3/4" or 1" SS MALE	36.4	14.3	28	11	14	5.5	0.0374	1.32	4.4	9.7
SNP24H	24	6.0	3/4" or 1" SS MALE	41.5	16.3	29	11.4	14.8	5.8	0.0439	1.55	5.4	11.9

\* MNP1S and MNP3S: 4 PIECES / CASE  
 Factory precharge pressure: 30 PSI / 2bar  
 Highly engineered plastic bases. Models MNP325V and MNP450V in steel.

In-line and horizontal models up to 80 liters with 3/4" connection.  
 Place "R" at the end of the model.  
 Available in 16 bar.

# Pearl<sup>®</sup>

**MNP**  
Steel Tanks with Diaphragm



Available in Stainless Steel



PD WATER SYSTEMS LLC | 2310 W. 76TH ST. HIALEAH, FL 33016 | 954-474-9090  
[www.pearlwatersystems.com](http://www.pearlwatersystems.com)

LAST MODIFIED 10/2023