

Pearl[®] *Water Systems*

Shallow Well Jet Water Pumps



IRONJET



Pearl[®] IRONJET

Shallow Well Jet Water Pump

IRON JET is a self-priming jet pump; this means that, after the first priming, the pump will never need to be primed again. The pump design was designed with the following features:

All components were carefully manufactured with quality materials to ensure the best performance and reliability

IRON JET's construction is suitable for outdoor applications

IRON JET comes equipped with a PEARL pressure switch for quick installation

Applications

- Supplying domestic water supplies out of a well at the desired pressure
- Lifting water containing air and other gases
- Boosting pressure for flooded suction applications
- For garden use

Operating Conditions

- Liquid temperature: 32 °F to 150 °F
- Maximum working pressure: 125 PSI
- Continuous duty

Construction

- Closed coupled self-priming centrifugal pump
- High-quality components for domestic water supplies and irrigation with respect to low lead requirements
- Connection threaded ports NPT
- All hardware constructed with Stainless Steel
- Pre-drilled priming port with plug
- Pre-drilled drain port with plug for easier maintenance
- U-shaped base on all models for better pump support

Motor

- NEMA Standard ODP 56J motors for cooler surface temperatures.
- Thermal overload protection.
- Capacitor start/capacitor run type motor for ½ - ¾ hp versions.
- Permanent Split Capacitor (PSC) without centrifugal switch for 1 hp and 1½ hp versions.
- Front bearing 6204 for longer life spans.
- All copper windings.
- cCSAus Approved Class F Dupont Nomex Insulation System.
- Single phase 115/230V for ½, ¾, 1, and 1½ hp models.
- Easy voltage conversion.
- Maximum Ambient Temperature: 40 °C (104 °F).

Assembled With

- PEARL Pressure switch.



Technical Data

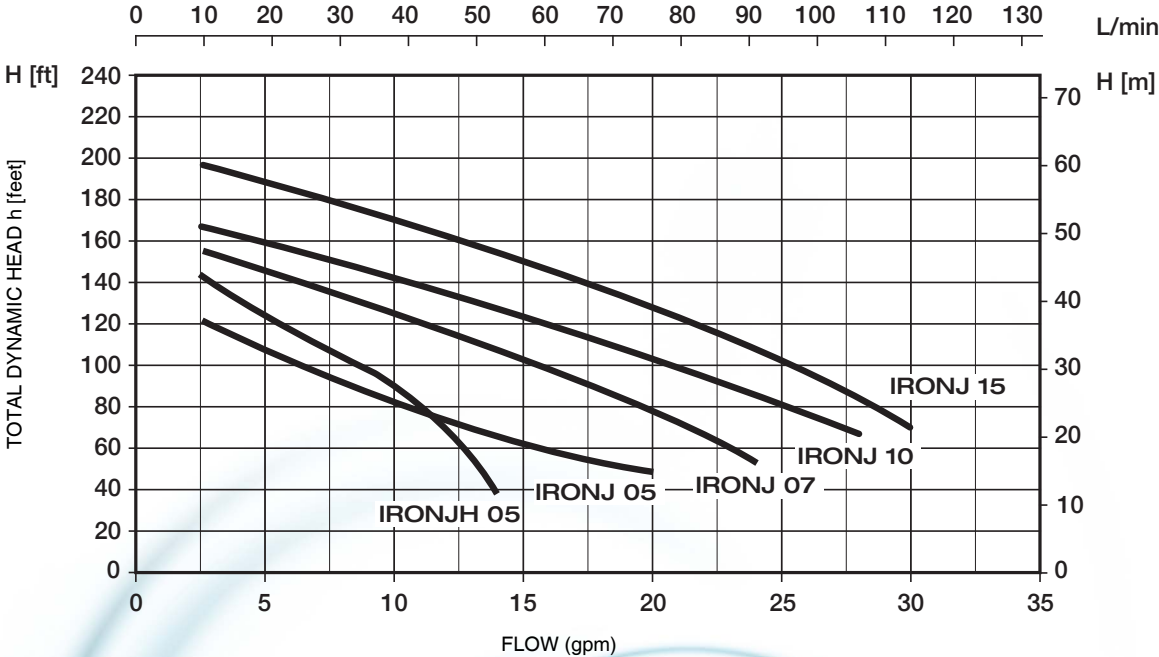
MODEL	HP	VOLT	PHASE	MAX. AMP	SUCT.	DISCH.
IRONJ 05	0.5	115/230	1	10.3 / 5.15	1 1/4"	1"
IRONJH 05	0.5	115/230	1	10.3 / 5.15	1 1/4"	1"
IRONJ 07	0.75	115/230	1	13.4 / 6.7	1 1/4"	1"
IRONJ 10	1	115/230	1	16.6 / 8.3	1 1/4"	1"
IRONJ 15	1.5	115/231	1	21 / 10.5	1 1/4"	1"

Materials

COMPONENT	MATERIAL
PUMP CASING	CAST IRON
IMPELLER	PPE + PS, INCLUDING SS304 INSERTS
DIFFUSSER	PP, VOLUTE WITH SS304 WEAR RING
SHAFT	STAINLESS STEEL AISI 304 + 40CR
MECHANICAL SEAL	SIC/SUS316/EPDM

Shallow Well Jet Water Pump

Performance Curves | n = 3450 rpm



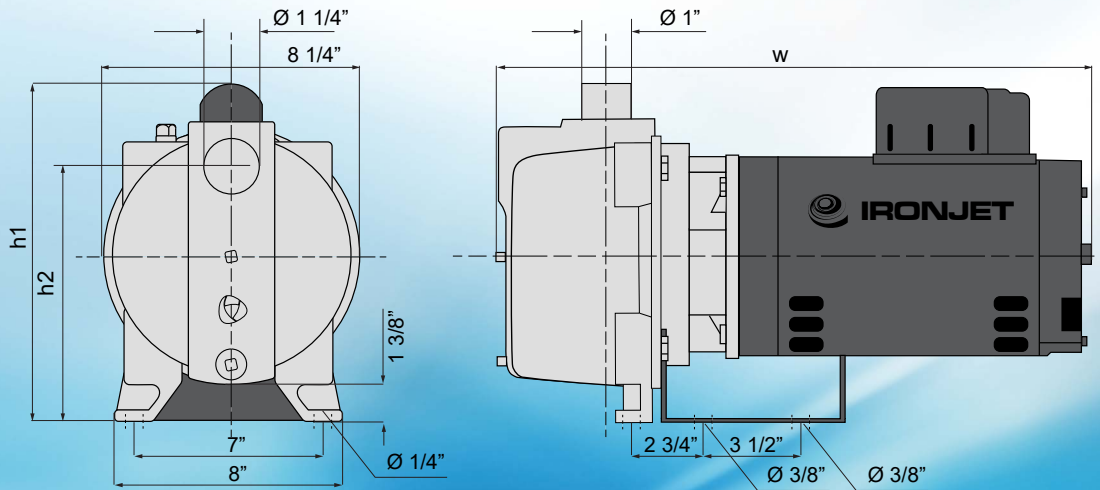
MODEL	HP	SUCTION LIFT DEPTH (feet)	DISCHARGE PRESSURE - PSI					MAX SHUT - OFF PSI
			20	30	40	50	60	
			FLOW US GPM					
IRONJ 05	0.5	5	20	13	8	3		58
		10	17	12	7	2		56
		15	15	10	6	1.5		52
		20	13	9.4	5			51
		25	11	8	3			51
IRONJH 05	0.5	5		12	9	6	3.5	83
		10		11	8	5	3.3	80
		15		10	7	4.8	2.8	77
		20		8	6.5	4.5	2.5	74
		25		6.3	6	4.2	2.2	72
IRONJ 07	0.75	5	22.2	21	16	11	6.5	69
		10	22	19	15	9	5.5	67
		15	21.5	18	14	8	3.5	65
		20	21	15	13	7	2	62
		25	20	11	10	6	1.8	60
IRONJ 10	1.0	5		25	22	16	8	70
		10		23	19	14	6.5	69
		15		20	18.5	13	4	66
		20		18	17	12	2.5	63
		25		16	15	10	2	60
IRONJ-15	1.5	5		29	26	22	16	87
		10		25	24	20	15	82
		15		21	22	19	13	80
		20		19	20	18	11	75
		25		16	15	15	9	74



Pearl[®]

IRONJET

Shallow Well Jet Water Pump



Pump Dimensions

MODEL	SUCTION	DISCHARGE	DIMENSIONS			WEIGHT
	DN	DN	h1	h2	w	lbs
IRONJ 05	1 1/4"	1"	10 1/8"	7 3/4"	20 1/8"	51
IRONJH 05	1 1/4"	1"	10 1/8"	7 3/4"	20 1/8"	51
IRONJ 07	1 1/4"	1"	10 1/8"	7 3/4"	20 1/8"	54
IRONJ 10	1 1/4"	1"	10 1/8"	7 3/4"	20 1/8"	63
IRONJ 15	1 1/4"	1"	10 1/8"	7 3/4"	20 1/8"	67

Packaging Dimensions

MODEL	L	W	H	WEIGHT
	inch	inch	inch	lbs
IRONJ 05	22 1/2"	11 3/4"	12 3/4"	57
IRONJH 05	22 1/2"	11 3/4"	12 3/4"	57
IRONJ 07	22 1/2"	11 3/4"	12 3/4"	60
IRONJ 10	22 1/2"	11 3/4"	12 3/4"	69
IRONJ 15	22 1/2"	11 3/4"	12 3/4"	73



PD WATER SYSTEMS LLC | 2310 W. 76TH ST. HIALEAH, FL 33016 | 954-474-9090
www.pearlwaterystems.com

VERSION 04/2023