 **Pearl**[®]
Water Systems

**Multistage Self-Priming
Centrifugal Pump**



RAGNAR



Pearl[®] RAGNAR

Multistage Self-Priming Centrifugal Pump

Features

RAGNAR is a multistage self-priming centrifugal pump. The water pump was designed taking into consideration all features needed to guarantee complete customer satisfaction, including:

- All components were designed to ensure the best performance and reliability
- RAGNAR's construction is suitable for outdoor applications
- RAGNAR is used in irrigation systems where high pressure is important at the necessary flow for efficient irrigation
- RAGNAR also has applications in air conditioning, water recirculation, residential water supply, pressure boosting, and many other areas
- Its construction makes RAGNAR suitable for indoor and outdoor installations

Applications

RAGNAR multistage self-priming centrifugal pumps can be used for the following applications:

- Lifting water containing air or other gases
- Water recirculation
- Irrigation systems
- Situations requiring a lifting capability up to 25 ft.

Operating Conditions

Pearl's RAGNAR multistage self-priming centrifugal pump has the following operating conditions:

- Liquid temperature: 32 °F - 150 °F
- Maximum working pressure: 125 PSI
- Continuous Duty

Construction

- Closed coupled self-priming multistage centrifugal pump
- High-quality components designed for domestic water supplies and irrigation with respect to low lead requirements
- Connection threaded ports NPT
- All hardware constructed with Stainless Steel
- Pre-drilled priming port with plug
- Pre-drilled drain port with plug for easier maintenance
- U-shaped base on all models gives full support to the pump

Motor

- NEMA Standard ODP 56J motors for cooler surface temperatures
- Thermal overload protection
- Permanent Split Capacitor (PSC) without centrifugal switch bearing 6204 for longer life span
- Front bearing 6204 for longer life spans
- All copper windings
- cCSAus Approved Class F Dupont Nomex Insulation System
- Single phase, 230 V for 2 hp models
- Maximum Ambient Temperature: 40 °C (104 °F)



Technical Data

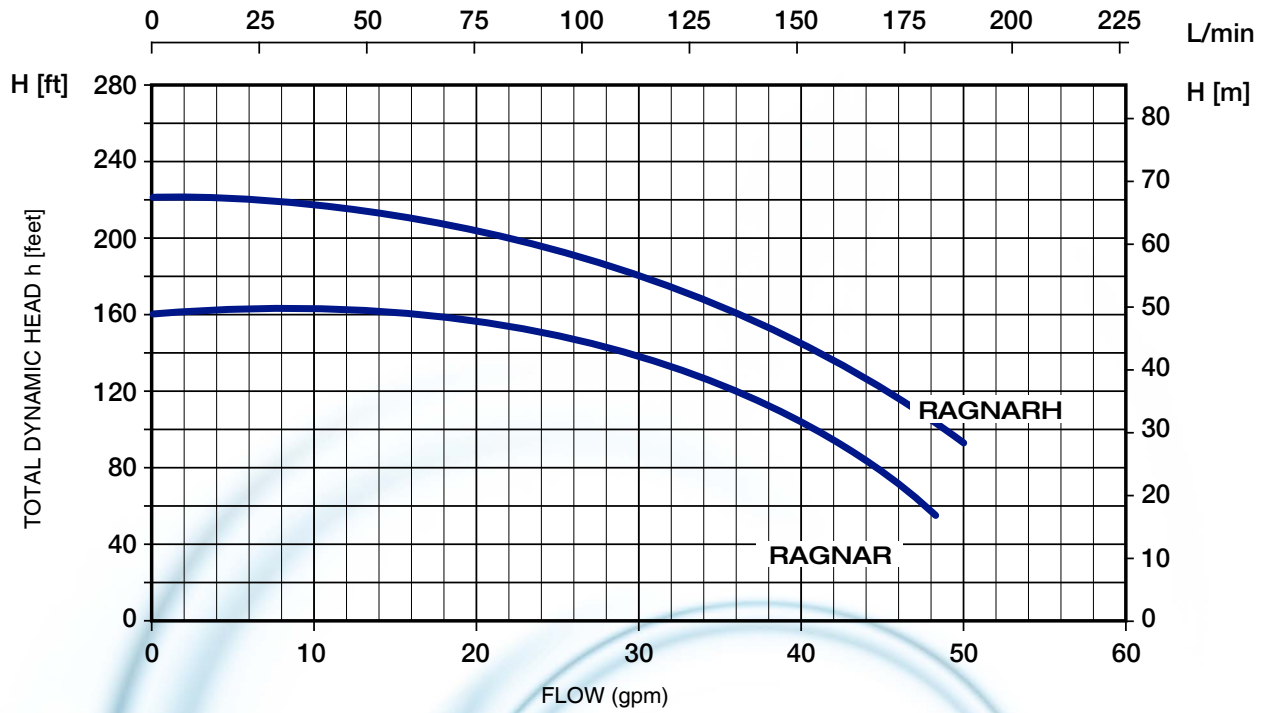
MODEL	HP	VOLT	PHASE	MAX. AMP	SUCT.	DISCH.
RAGNAR 20C16S	2	230	1	12	1 1/2"	1 1/4"
RAGNARH 20C16S	2	230	1	13.8	1 1/2"	1 1/4"

Materials

COMPONENT	MATERIAL
PUMP SLEEVE	STAINLESS STEEL
PUMP CASING	CAST IRON
IMPELLER	PPE + PS, INCLUDING SS304 INSERTS
DIFFUSER	PP, VOLUTE WITH SS304 WEAR RING
SHAFT	STAINLESS STEEL AISI 304 + 40CR
MECHANICAL SEAL	SIC/SUS316/EPDM, SILICON CARBIDE VS. GRAPHITE FACES

Multistage Self-Priming Centrifugal Pump

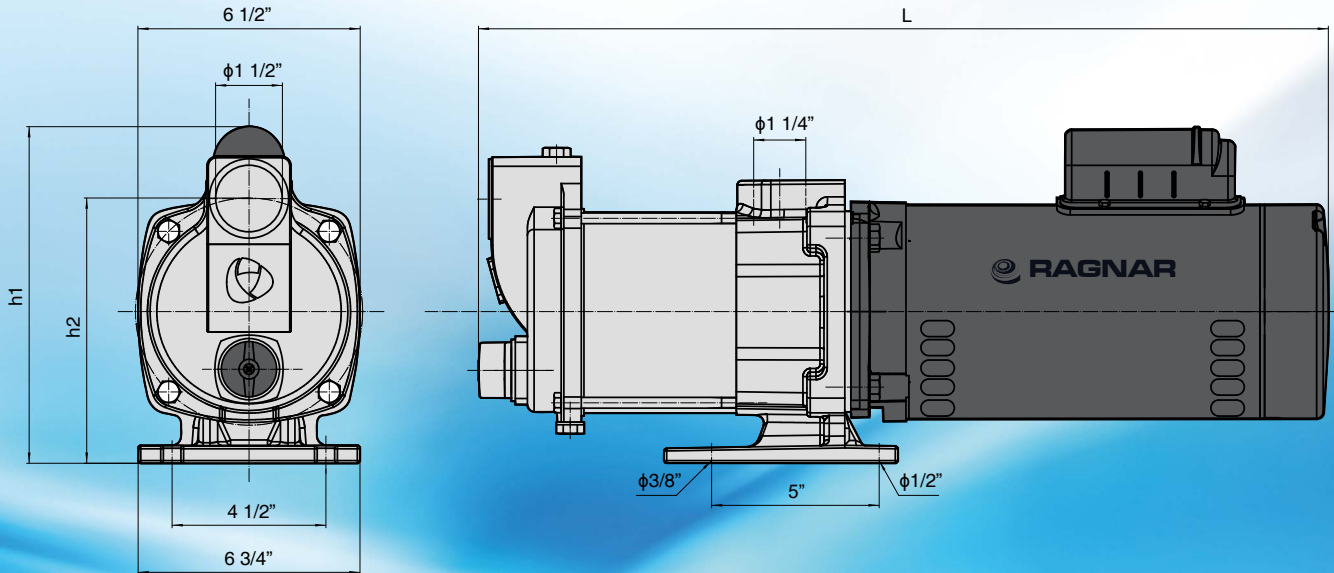
Performance Curves | n = 3450 rpm



MODEL	HP	SUCTION LIFT DEPTH (feet)	DISCHARGE PRESSURE - PSI					MAX SHUT - OFF PSI
			30	40	50	60	80	
			FLOW US GPM					
RAGNAR	2	0	48	43	38	24	-	69
		5	47	42	37	22	-	67
		10	44	38	33	18	-	65
		15	40	35	30	16	-	63
		20	-	33	28	12	-	61
RAGNARH	2	0	-	50	47	40	23	97
		5	-	50	45	38	21	96
		10	-	50	43	36	20	94
		15	-	46	39	33	18	92
		20	-	38	34	32	16	90

Pearl[®] RAGNAR

Multistage Self-Priming Centrifugal Pump



Pump Dimensions

MODEL	SUCTION	DISCHARGE	DIMENSIONS			WEIGHT [lbs]
	DN	DN	h1	h2	L	lbs
RAGNAR	1 1/2"	1 1/4"	10 1/4"	8"	23 1/2"	88
RAGNARH	1 1/2"	1 1/4"	10 1/4"	8"	25 1/4"	88

Packaging Dimensions

MODEL	L	W	H	WEIGHT [lbs]
RAGNAR	27 1/2"	8.66"	12.6"	98
RAGNARH	27 1/2"	8.66"	12.6"	98



PD WATER SYSTEMS LLC | 2310 W. 76TH ST. HIALEAH, FL 33016 | 954-474-9090
www.pearlwatersystems.com

VERSION 04/2023