 **Pearl**[®]
Water Systems

Centrifugal Sprinkler Water Pump



THOR



Pearl®

THOR

Centrifugal Sprinkler Water Pump

Features

THOR is a self-priming centrifugal pump. The water pump was designed taking into consideration the features needed to guarantee complete customer satisfaction, including:

- All water pump components were designed to ensure the best performance and reliability, regardless of application
- THOR's construction is suitable for outdoor applications
- THOR is used in irrigation systems where high flow is important at pressures necessary for efficient irrigation
- THOR also has applications in air conditioning, water recirculation, residential water supply, pressure boosting, and many other areas
- Its construction makes THOR suitable for indoor and outdoor installations

Applications

- Lifting water containing air or other gases
- Water recirculation
- Irrigation systems
- Lifting capability up to 25 ft.

Operating Conditions

- Liquid temperature: 32 °F - 150 °F
- Maximum working pressure: 125 PSI
- Continuous duty

Construction

- Closed coupled self-priming centrifugal pump
- High-quality components designed for domestic water supplies and irrigation with respect to low lead requirements
- Connection threaded ports NPT
- All hardware constructed with Stainless Steel
- Pre-drilled priming port with plug
- Pre-drilled drain port with plug for easier maintenance
- U-shaped base on all models gives full support to the pump

Motor

- NEMA Standard ODP 56J motors for cooler surface temperatures
- Thermal overload protection
- Permanent Split Capacitor (PSC) without centrifugal switch for 1, 1½, and 2 hp versions
- Front bearing 6204 for longer life spans
- All copper windings
- cCSAus Approved Class F Dupont Nomex Insulation System
- Single phase, 115/230V for 1 - 1½ hp models
- Single phase, 230 V for 2 hp models
- Easy voltage conversion for 1 - 1½ hp models
- Maximum Ambient Temperature: 40 °C (104 °F)



Technical Data

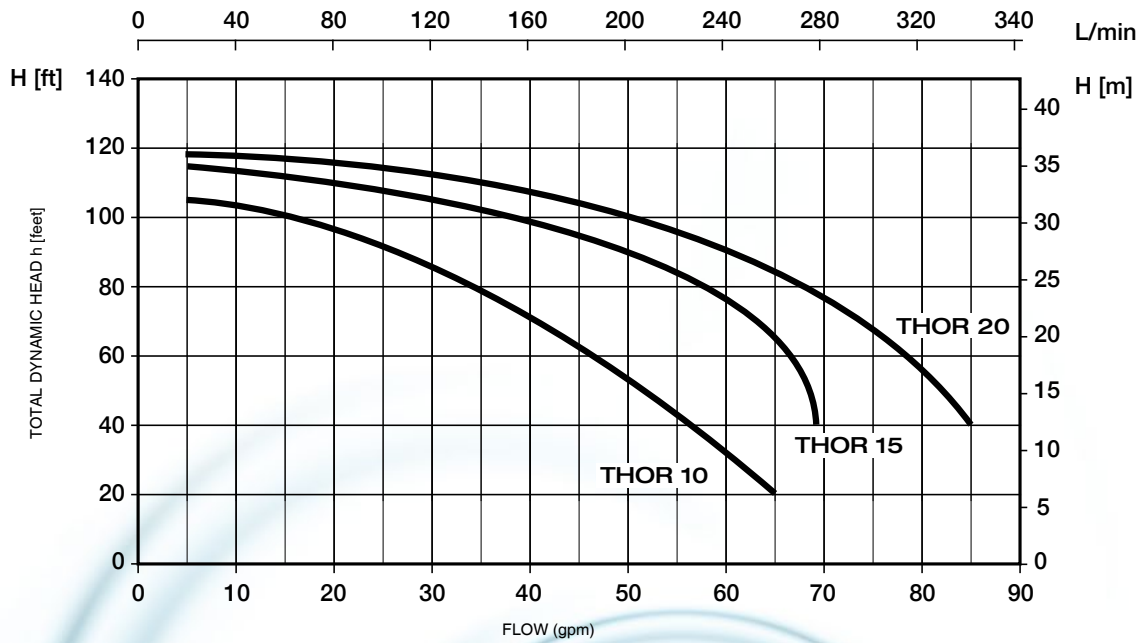
MODEL	HP	VOLT	PHASE	MAX. AMP	SUCT.	DISCH.
THOR 10	1	115/230	1	16.6/8.3	1 1/2"	1 1/2"
THOR 15	1.5	115/230	1	21/10.5	1 1/2"	1 1/2"
THOR 20	2	230	1	11.8	1 1/2"	1 1/2"

Materials

COMPONENT	MATERIAL
PUMP CASING	CAST IRON
IMPELLER	PPE + PS, INCLUDING SS304 INSERTS
DIFFUSER	PP, VOLUTE WITH SS304 WEAR RING
SHAFT	STAINLESS STEEL AISI 304 + 40CR
MECHANICAL SEAL	SIC/SUS316/EPDM, SILICON CARBIDE VS. GRAPHITE FACES

Centrifugal Sprinkler Water Pump

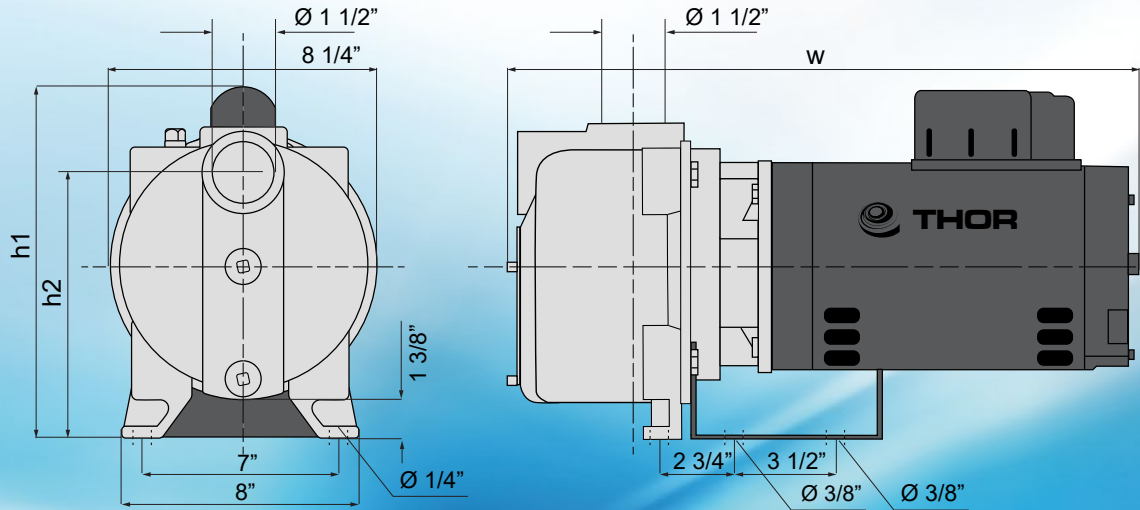
Performance Curves | n = 3450 rpm



MODEL	HP	SUCTION LIFT DEPTH (feet)	DISCHARGE PRESSURE - PSI			MAX SHUT - OFF PSI
			20	30	40	
			FLOW US GPM			
THOR 10	1.0	0	54	41	25	46
		5	51	39	22	44
		10	50	34	19	40
		15	46	32	10	39
		20	42	26	8	38
		25	38	23		34
THOR 15	1.5	0	68	64	48	49
		5	62	58	45	48
		10	60	55	38	46
		15	55	51	33	44
		20	48	46	20	43
		25	39	37	10	41
THOR 20	2.0	0	83	73	60	51
		5	82	71	52	48
		10	80	68	47	47
		15	77	65	45	45
		20	70	60	32	44
		25	65	55	18	42

Pearl[®] THOR

Centrifugal Sprinkler Water Pump



Pump Dimensions

MODEL	SUCTION	DISCHARGE	DIMENSIONS			WEIGHT
	DN	DN	h1	h2	w	lbs
THOR 10	1 1/2"	1 1/2"	10 1/8"	7 3/4"	20 1/8"	60
THOR 15	1 1/2"	1 1/2"	10 1/8"	7 3/4"	20 1/8"	64
THOR 20	1 1/2"	1 1/2"	10 1/8"	7 3/4"	20 1/8"	65

Packaging Dimensions

MODEL	L	W	H	WEIGHT
	inch	inch	inch	lbs
THOR 10	22 1/2"	11 3/4"	12 3/4"	66
THOR 15	22 1/2"	11 3/4"	12 3/4"	70
THOR 20	22 1/2"	11 3/4"	12 3/4"	71



PD WATER SYSTEMS LLC | 2310 W. 76TH ST. HIALEAH, FL 33016 | 954-474-9090
www.pearlwatersystems.com

VERSION 03/2023